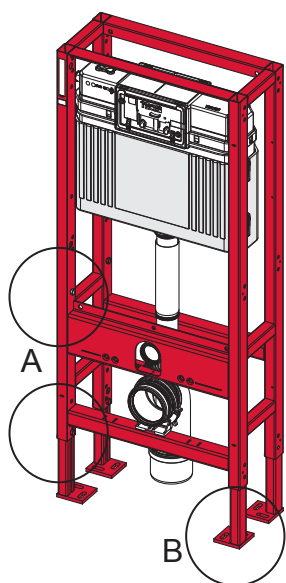
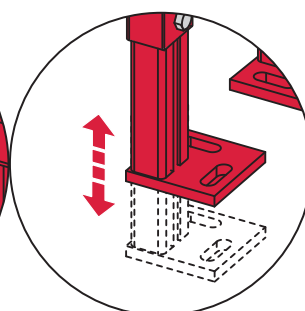
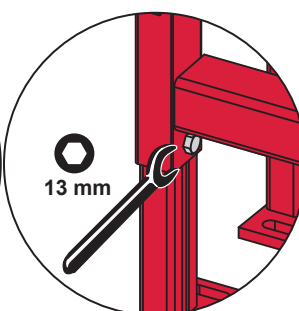
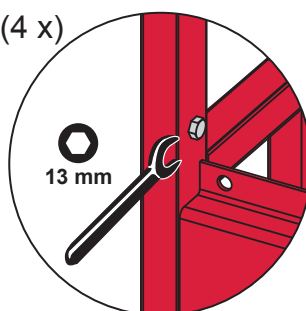


A (4 x)



B (4 x)

