

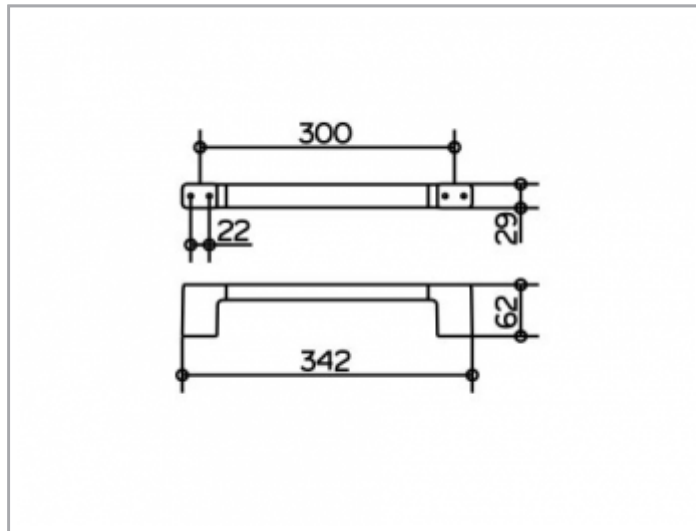
Collection Moll

12707010000 Poignée de relèvement

PRODUIT



DESSIN



**SURFACE**

chromé

**DIMENSION**

300 mm

**SPECIFICATIONS**

KEUCO COLLECTION MOLL grab rail 12707010000

Chrome-plated grab rail, in an esthetic design with slightly rounded edges,

Load bearing up to 160 kg, anti-static, easy to cleanCentre to centre 300 mm with overall width of 342 mm

Depth 62 mmThe grab rail is fitted with 4 hidden fixing points, incl. corrosion-free mounting material